

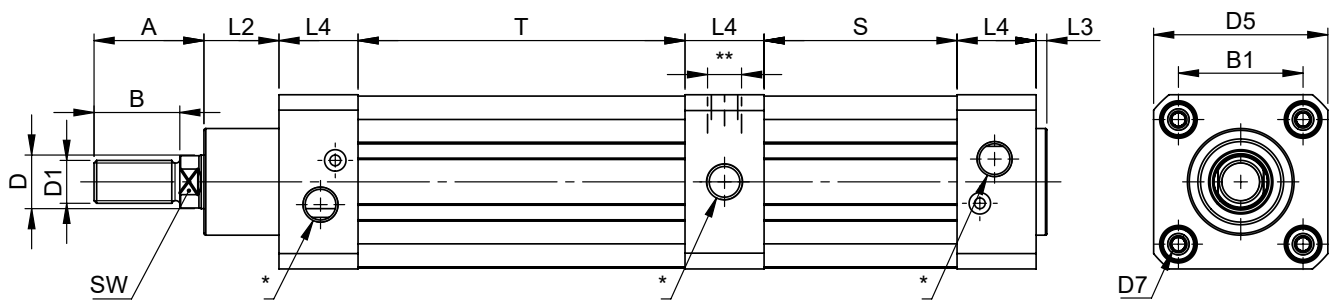


TECHNICAL DRAWING AND DIMENSIONING FOR CASCADE CYLINDER

Ø32-Ø125

GENERAL INFORMATION

- Cascade cylinders to achieve different positions from the same cylinder diameter works by connecting at least two cylinders repeatedly
- Please contact our company for different cylinder diameter, model and number of cascade



Cylinder Ø (mm)	A	B	L2	L3	L4	C	B1	D5	D	D1	D7	SW	*	**
32	30	22	18	4	25	44	32,5	45	12	M10x1,25	M6	10	G1/8"	G1/8"
40	34	24	20	4	27	51	38	54	16	M12x1,25	M6	13	G1/4"	G1/8"
50	41	32	28	4	29,5	47	46,5	65	20	M16x1,5	M8	17	G1/4"	G1/8"
63	42	32	27	4	34,5	52	56,5	76	20	M16x1,5	M8	17	G3/8"	G1/4"
80	52	40	34	4	35	58	72	94	25	M20x1,5	M10	22	G3/8"	G1/4"
100	52,5	40	38,5	4	38	62	89	112	25	M20x1,5	M10	22	G1/2"	G1/4"
125	73	54	46	6	44	72	110	134	32	M27x2	M12	27	G1/2"	G3/8"

S: C+First Stroke

T: S+Second Stroke