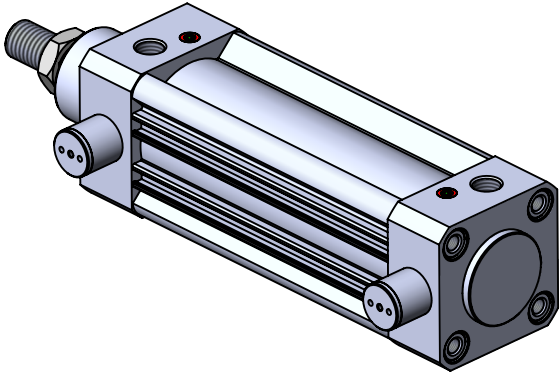


# PMK-L GENERAL INFORMATION



## PMK-L SERIES

ISO 15552 - Ø32 - Ø125

END POSITION LOCKING,  
MAGNETIC AND CUSHIONING CYLINDER

ELOXAL PLATE AND SPECIAL ROD  
SEAL PROVIDING HYGIENE AND  
LONG WORKING LIFE

ADJUSTABLE  
CUSHIONING

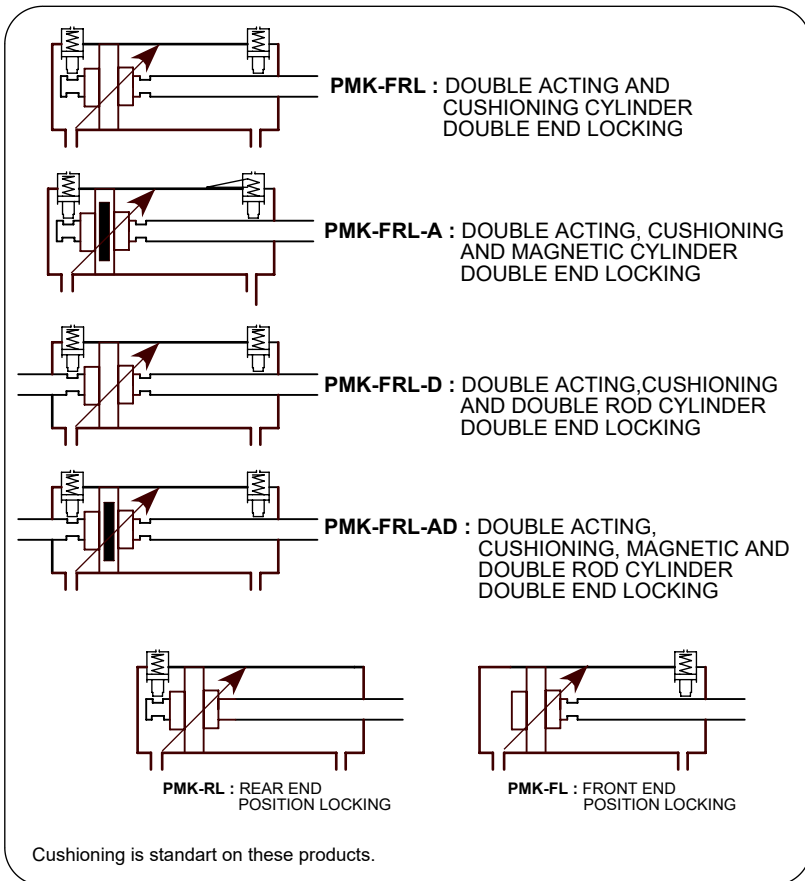
MAGNETIC  
SENSOR

RUNNING  
FAT-FREE

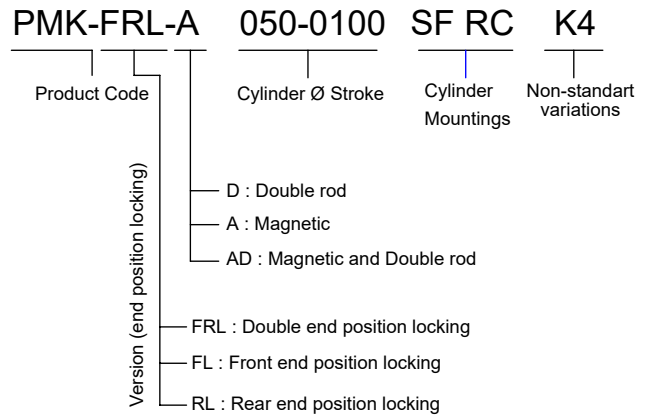
SS 420  
PISTON ROD

ELOXAL PLATED  
COVER

ELOXAL PLATED  
TUBE



### Example of order :



### Non-standart variations:

- R1 : Stainless Steel Piston Rod (SS 304, SS 316)
- R5 : Piston Rod as CK 45 (Hard Chrome Plated)
- M1 : Extended Male Piston Rod Thread
- M2 : Female Piston Rod Thread
- M3 : Special Piston Rod Thread
- M4 : Extended Piston Rod
- K1 : Seals for Max. 150°C ( Viton )
- K4 : Piston Rod Seal Viton
- K6 : For heavily soiled and dusty environments metal scraper (Bronze+PU)

### Working Fluid :

Filtered and lubricated or filtered and not lubricated air.

### Operating temperature range :

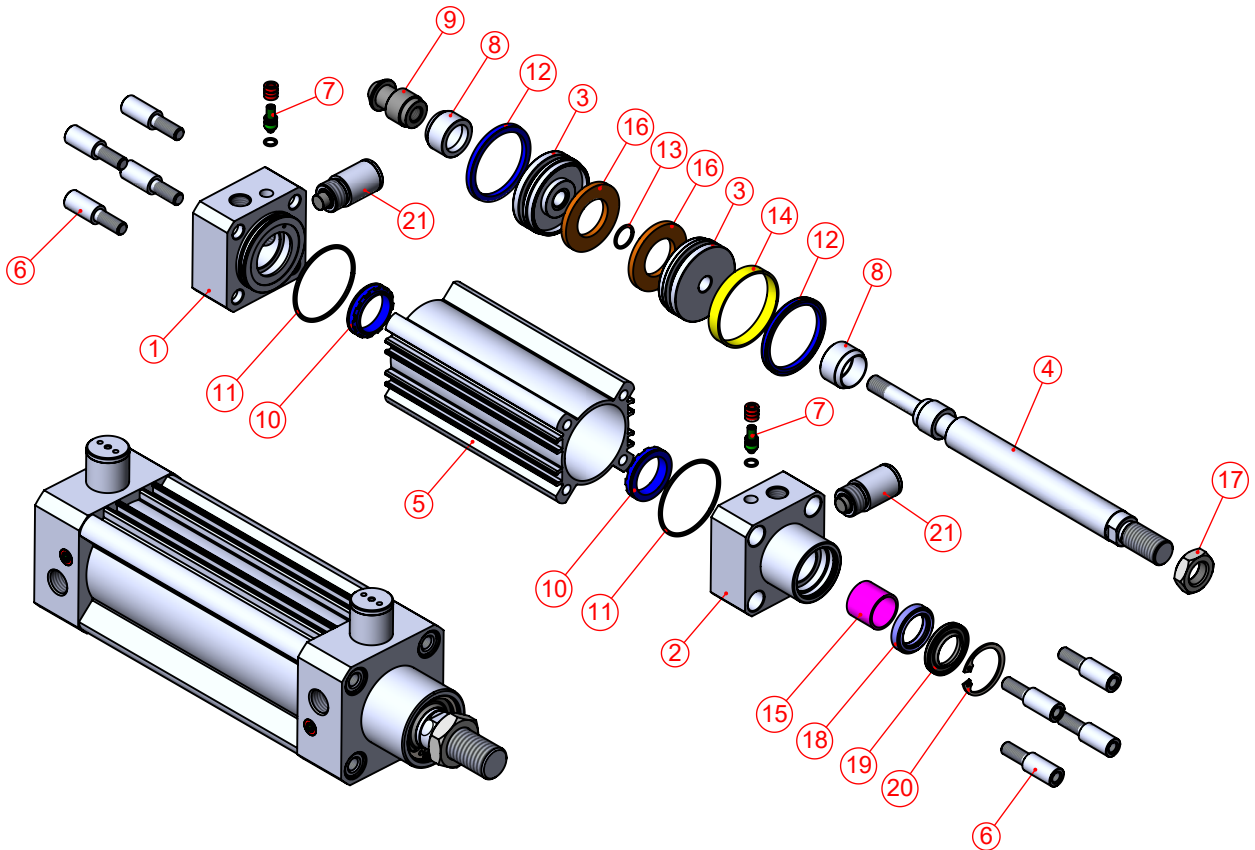
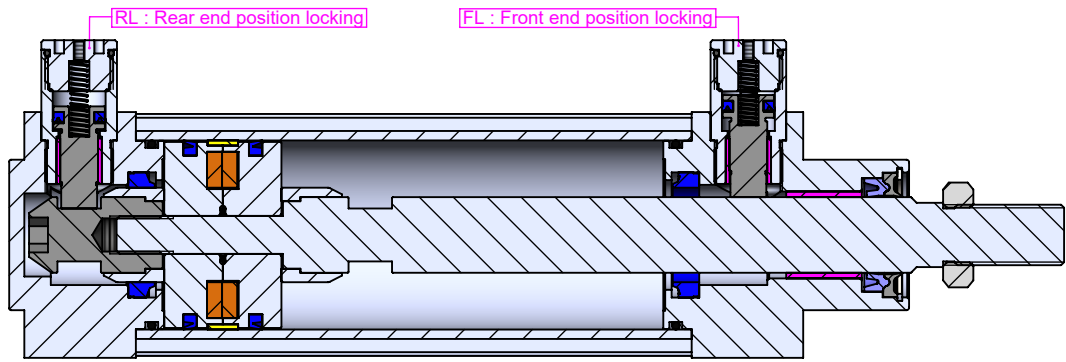
- Polyurethane (PU) : (-20 C) - (+80 C)
- Viton (FKM) : (-30 C) - (+150 C)

### Max. work pressure :

10 Bar

### Force value :

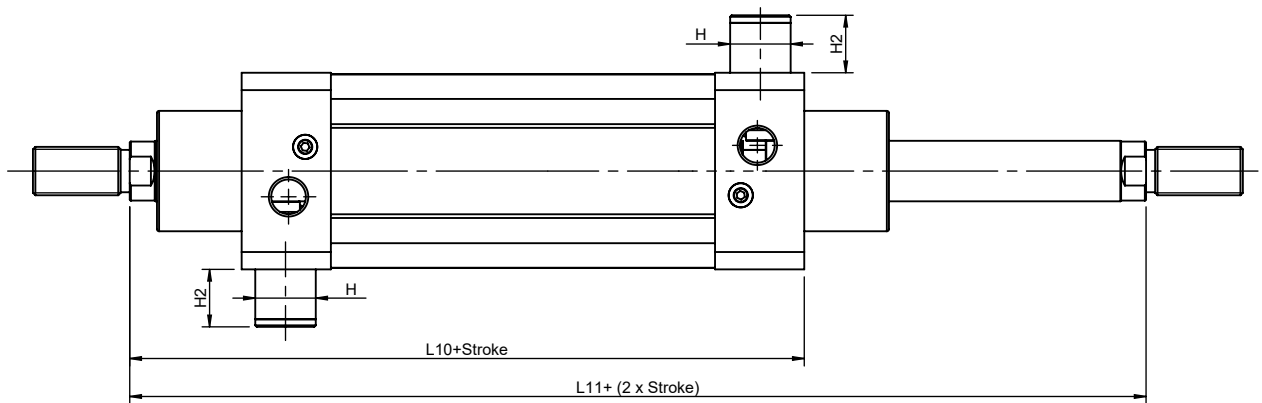
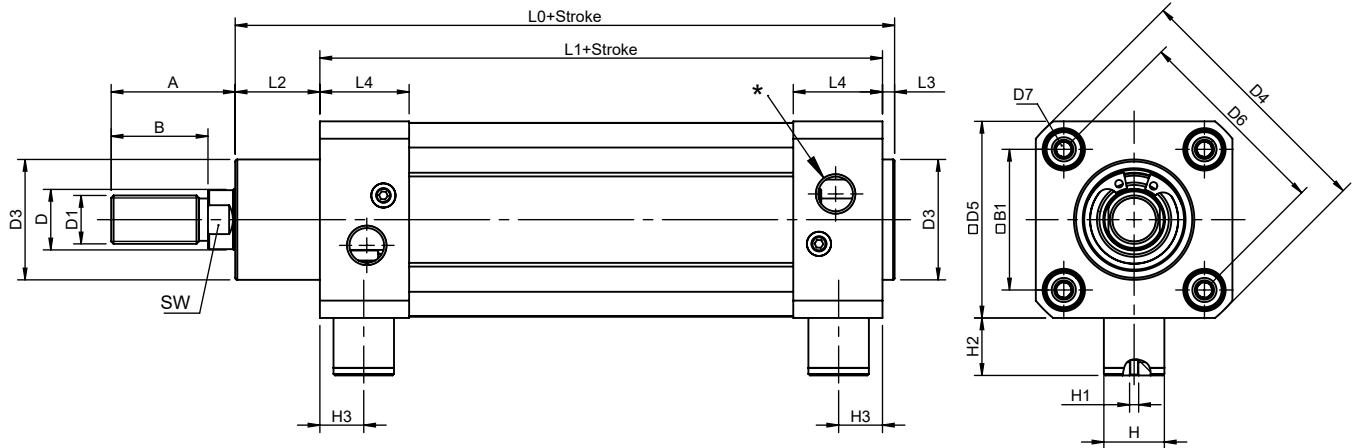
Cylinder Ø mm	Rod Ø mm	Thrust and Traction forces (6 bar)		End position locking Static holding force (N)
		Thrust force (N)	Traction force (N)	
32	12	482	415	550
40	16	754	633	860
50	20	1178	990	1340
63	20	1870	1682	2140
80	25	3016	2721	3450
100	25	4712	4418	5390
125	32	7363	6881	7890



No	Material name	Characteristic	Pc
1	Rear Head	6082 Al.+ Eloxal Plated	1
2	Front Head	6082 Al.+ Eloxal Plated	1
3	Middle Piston	Aluminium	2
4	Piston Rod	X20Cr13 + Hard Chrome Plated	1
5	Cylinder Tube	AlMgSi0.5 + Eloxal Plated	1
6	Bolt	Stainless Steel	8
7	Cushioning Screw	Brass + AISI 303 NBR	2
8	Cushioning Tube	6082 Al.+ Eloxal Plated	2
9	Female Thread for Lock and Cushion	Hardened steel	1
10	Cushioning Seal	PU	2
11	Head O-Ring	NBR	2
12	Piston Seal	PU	2
13	Middle Piston O-Ring	NBR	1
14	Guiding Band	Polyacetal	1
15	Guiding Bush	CSB-40	1
16	Magnet		2
17	Rod end Nut	Stainless Steel	1
18	Rod Seal	PU 85	1
19	Rod Scraper Seal	POM	1
20	Retaining Ring	A2-Stainless Steel	1
21	End Position Locking for Cylinder	Kit	2

# PMK-L CYLINDER DIMENSIONS

END POSITION LOCKING,  
MAGNETIC and CUSHIONING CYLINDER- Ø32 - Ø125

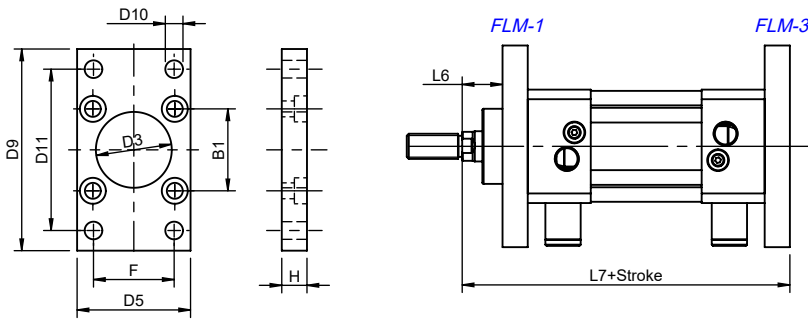


Cylinder Ø mm	A	B	B1	D Ø	D1	D3 Ø	D4	D5	D6 Ø	D7	L0	L1	L2	L3	L4	L10	L11	SW	*	H Ø	H1	H2	H3
32	30	22	32.5	12	M10x1.25	30	59	45	46	M6	116	94	18	4	25	120	146	10	G1/8"	14	M3	17	14
40	34	24	38	16	M12x1.25	35	70.2	54	53.7	M6	129	105	20	4	27	135	165	13	G1/4"	16	M3	17	15
50	41	32	46.5	20	M16x1.5	40	84.2	65	65.7	M8	138	106	28	4	29.5	143	180	17	G1/4"	20	M3	19	14.5
63	42	32	56.5	20	M16x1.5	45	99.5	76	80	M8	152	121	27	4	34.5	158	195	17	G3/8"	20	M3	13.5	19
80	52	40	72	25	M20x1.5	45	123.8	94	101.8	M10	167	128	34	4	35	174	220	22	G3/8"	22	M5	14	18
100	52.5	40	89	25	M20x1.5	55	148.8	112	125.9	M10	182.5	138	38.5	4	38	189	240	22	G1/2"	22	M5	5	19.5
125	73	54	110	32	M27x2	60	179.5	134	155.5	M12	213	160	46	6	44	225	290	27	G1/2"	30	M6	10	22

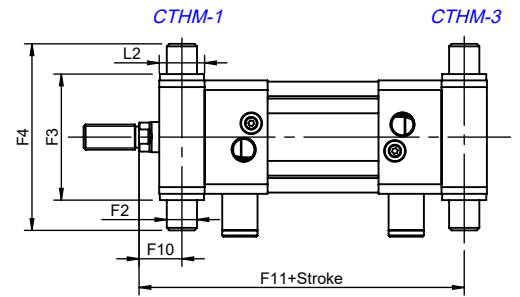
# PMK-L MOUNTING PARTS

END POSITION LOCKING,  
MAGNETIC and CUSHIONING CYLINDER- Ø32 - Ø125

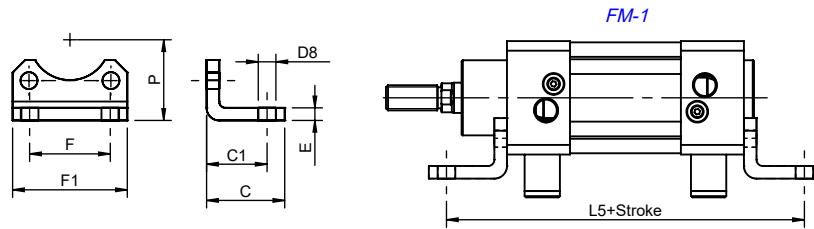
**FLM Flange Mounting**



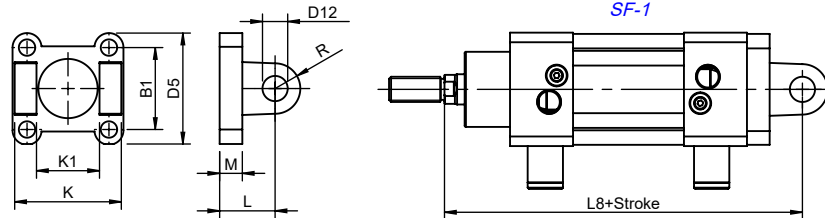
**CTHM Central Trunnion Head Mounting**



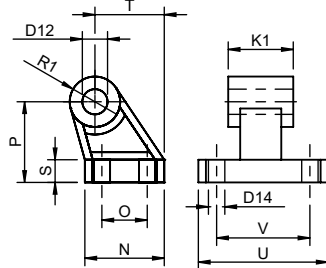
**FM Foot Mounting**



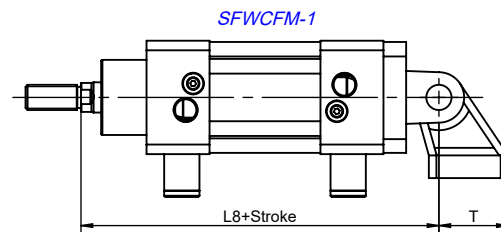
**SF Swivel Flange**



**CFM Clevis Foot Mounting**

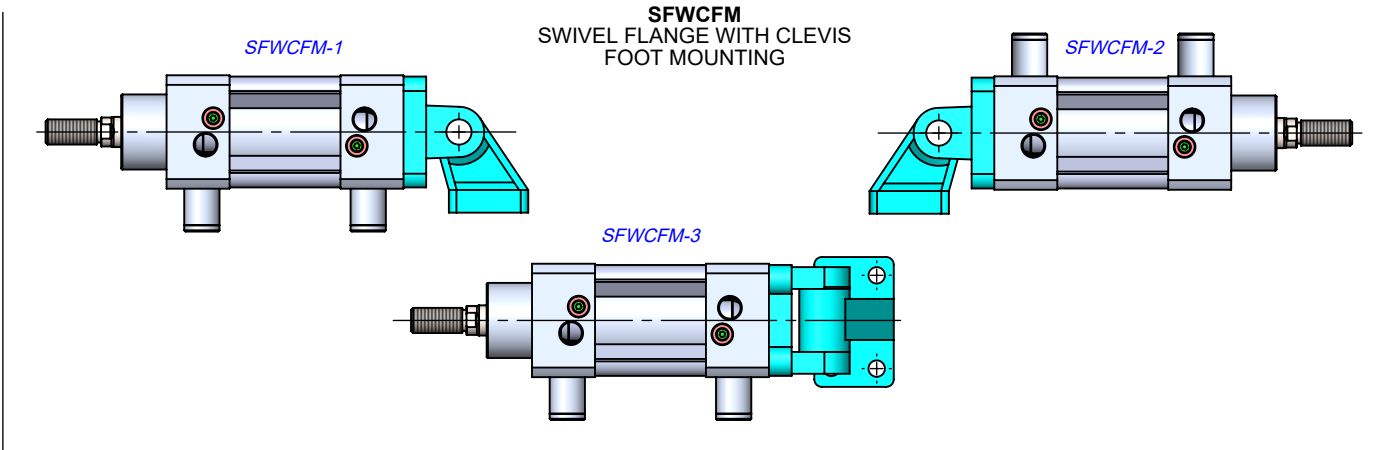
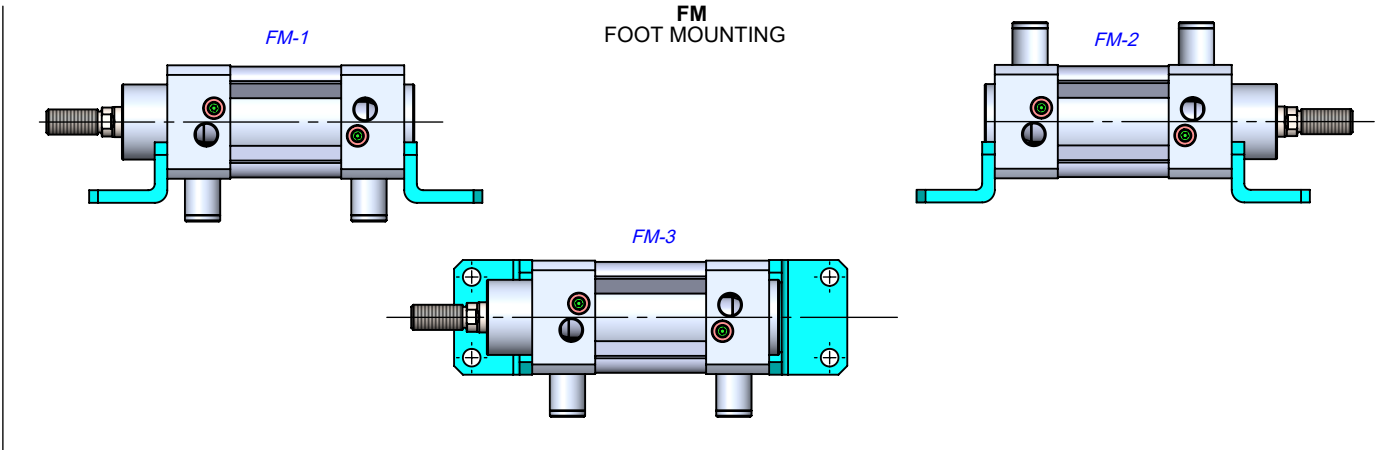


**SFWCFM Swivel Flange With Clevis Foot Mounting**

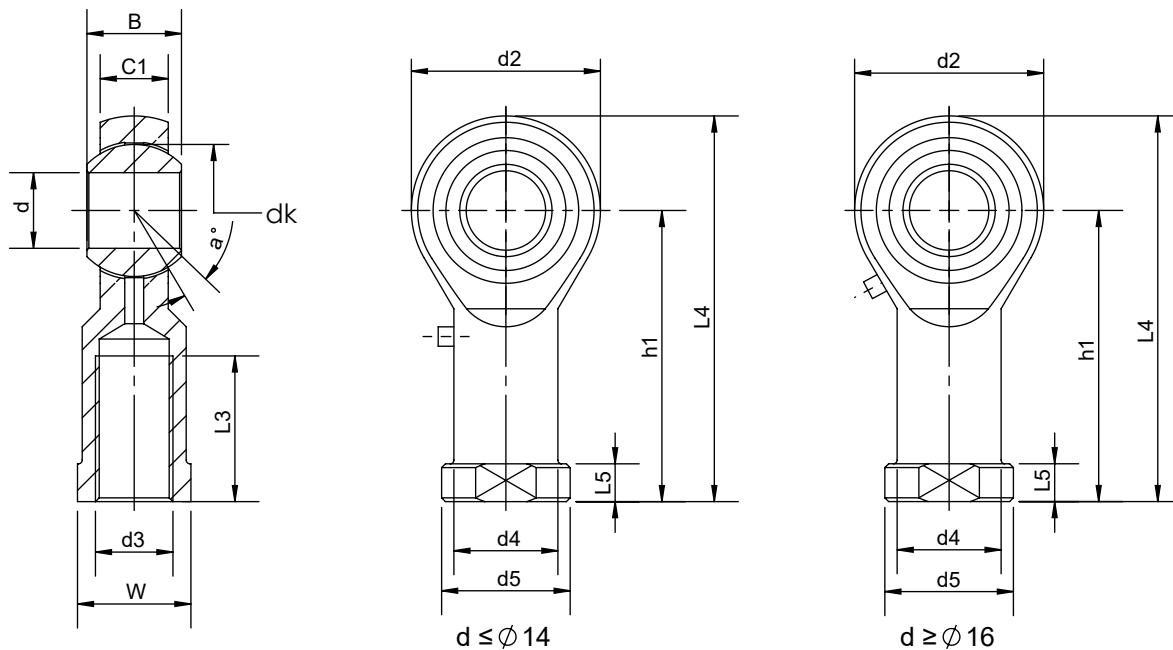


Cylinder Ø mm	B1	C	C1	D3 Ø H11	D5	D8 Ø H14	D9	D10 Ø H13	D11 JS14	D12 Ø H9	D14 Ø H13	E	F JS14	F1	F2 Ø e9	F3 h14	F4	F10	F11
32	32.5	30	24	30	45	7	80	7	64	10	6.6	5	32	45.5	12	50	74	17	129
40	38	37	28	35	54	10	90	9	72	12	6.6	5	36	54.5	16	63	95	20	145
50	46.5	41	32	40	65	10	110	9	90	12	9	6	45	65	16	75	107	23	157
63	56.5	44	32	45	76	10	120	9	100	16	9	6	50	76	20	90	130	23.5	171.5
80	72	56	41	45	94	12	150	12	126	16	11	6	63	94	20	110	150	29	191
100	89	58	41	55	112	14	175	14	150	20	11	6	75	112	25	132	182	31.8	208.3
125	110	67	45	60	134	16	210	16	180	25	14	8	90	131	25	160	210	42	248

Cylinder Ø mm	H	K h14	K1 H14	L	L2	L5	L6	L7	L8	M	N	O JS14	P JS16	R	R1	S	T	U	V JS14
32	10	45	26	22	18	142	16	130	142	9	31	18	32	10	10	8	27.5	51	38
40	10	52	28	25	20	161	20	145	160	9	35	22	36	12	11	10	30.5	54	41
50	12	60	32	27	28	170	25	155	170	11	45	30	45	13	13	12	40.5	65	50
63	12	70	40	32	27	185	25	170	190	11	50	35	50	16	15	12	44.5	67	52
80	16	90	50	36	34	210	30	190	210	14	60	40	63	16	15	14	57	86	66
100	16	110	60	41	38.5	220	35	205	230	14	70	50	71	20	19	15	65	96	76
125	20	130	70	50	46	250	45	245	275	15	90	60	90	25	22.5	20	85	124	94

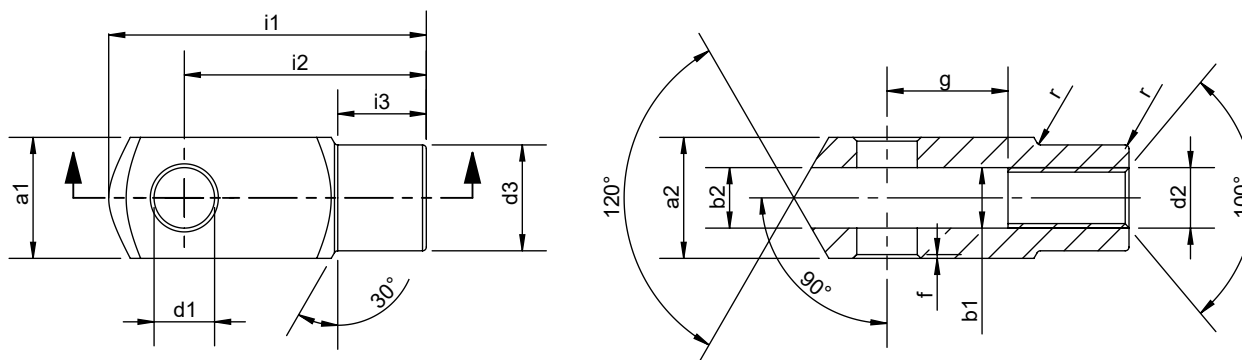


**KMB**  
ROD EYE



Part No.	Dimensions (mm)													
	d	d3 6H	B	C1	W	L3 min	d2	L4	h1	L5	d4	d5	dk	a°
KMB 10 -1	10	M10x1.25	14	10.5	17	20	26	56	43	6.5	15	19	19.05	13
KMB 12 -1	12	M12x1.25	16	12	19	22	30	65	50	6.5	17.5	22	22.225	13
KMB 16 -1	16	M16x1.5	21	15	22	28	40	84	64	8	22	27	28.575	15
KMB 20	20	M20x1.5	25	18	30	33	50	102	77	10	27.5	34	34.925	14
KMB 28	28	M27x2	35	24	41	48	66	136	103	14	37	46	47,6	15
KMB 30-1	30	M27x2	37	25	41	51	70	145	110	15	40	50	50,8	17
KMB 30	30	M30x2	37	25	41	51	70	145	110	15	40	50	50,8	17

**CB**  
ROD CLEVIS



Cylinder Ø mm	d1 H 9	g ±0.5	a1 h 11	a2 +0.3 -0.16	b1 B13	b2	d2 6H	d3 ±0.3	f ±0.2	i1 ±0.5	i2	i3 ±0.2	r
32	10	20	20	20	10	10	M10x1.25	18	0.5	52	40	15	0.5
40	12	24	24	24	12	12	M12x1.25	20	0.5	62	48	18	0.5
50	16	32	32	32	16	16	M16x1.5	26	1	83	64	24	1
63	16	32	32	32	16	16	M16x1.5	26	1	83	64	24	1
80	20	40	40	40	20	20	M20x1.5	34	1.5	105	80	30	1.5
100	20	40	40	40	20	20	M20x1.5	34	1.5	105	80	30	1.5
125	25	50	50	50	25	25	M27x2	42	1,5	132	100	36	1,5