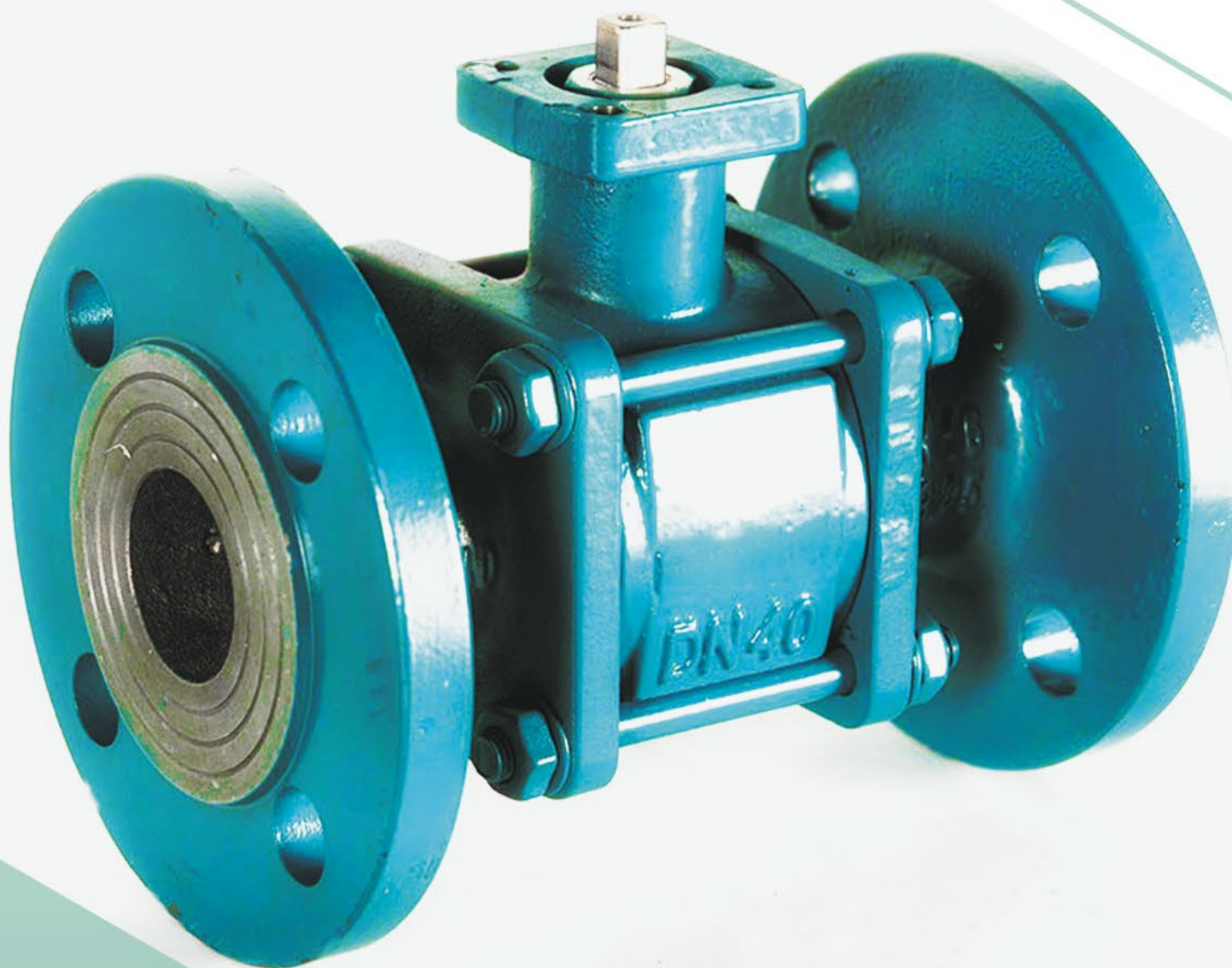




CONVALVE
SPECIALIST IN VALVE AUTOMATION



CAST IRON BALL VALVES



ISO 9001
Quality



ISO 14001
Environment



OHSAS 18001
Health & Safety





CAST IRON BALL VALVES

Scan me

DESCRIPTION

- Full bore ball valves assure minimum loss of liquid pressure due to their structural style. When fully opened, pressure loss is equivalent to the liquid pressure loss of a pipe with the same dimensions.
- Our PN 16 ball valves are produced, using the GGG-40 ductile cast iron which has a flexible body option. This allows us to ensure the material's resistance against dilating fluid that gets stuck between the ball and body because of heat changes.
- The tightness of our ball valves prevents any leakage with Teflon rings positioned in four different positions.
- Our valves can continue performing up to 200 degrees Celcius heat.
- In Our ball valves, the upper flange is extended for the direct mounting of the actuator. Thus, the adapter is no longer needed. Only by removing the open-close handle and handle retaining pin, the actuator can be connected immediately rather than.
- Upper flange is designed according to ISO 5211 / DIN 3337 norms for the montage of the actuator.

FEATURES

- Valve type: Full bore - 3 Pcs
- Pressure class: PN 16
- Dimensions: TS 3148 / TS EN 558-1
- Flange mounting sizes: TS ISO 7005-2 / DIN EN 1092-2
- Possibility to connect the actuator directly without any adapter.

APPLICATION

Cold and hot water, steam lines, pressurized air, gases, etc.

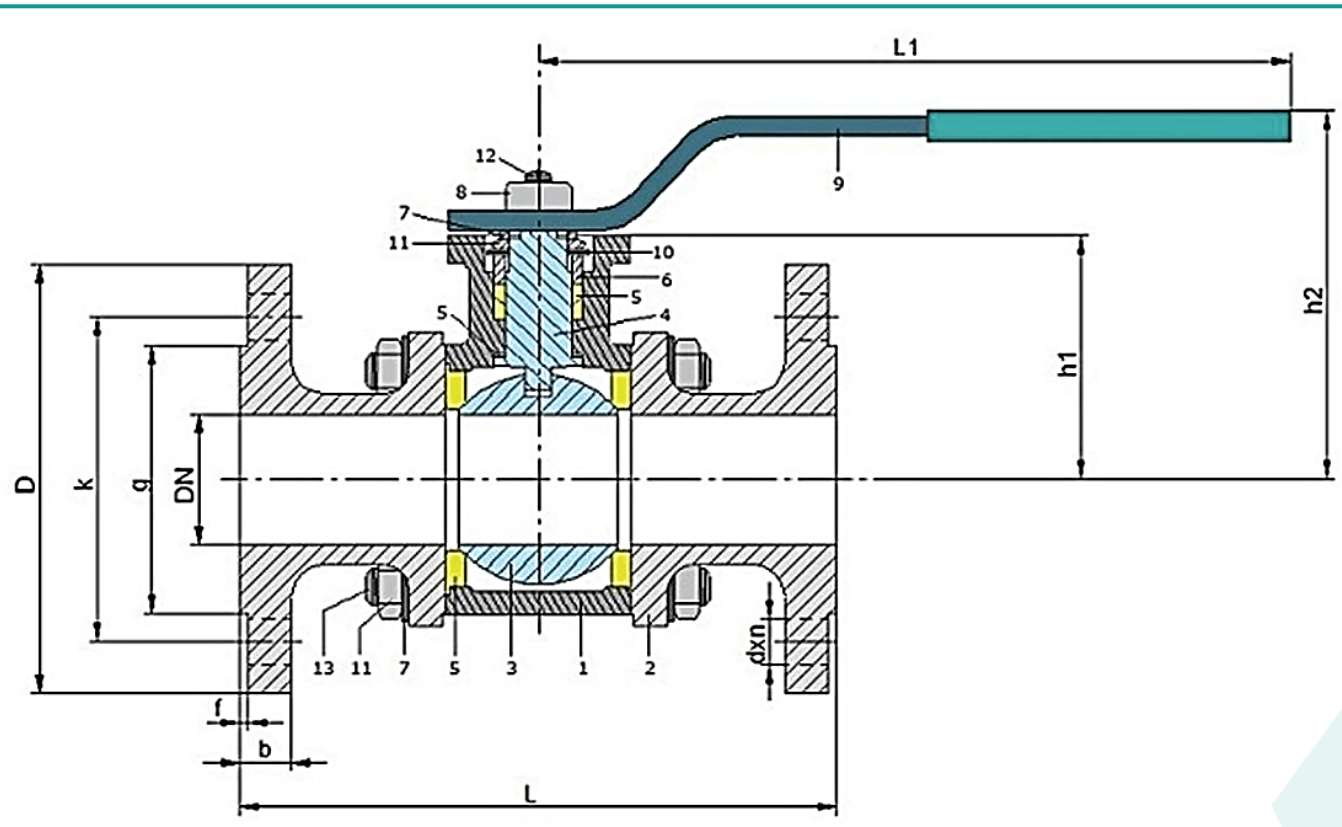
OPTIONS

- Air Actuators
- Electric Actuators
- Gear Box

CONSTRUCTION

BODY	GGG-40
FLANGE	GG-25
BALL	Stainless Steel
STEM	Stainless Steel
SEALING RINGS	PTFE
COMPRESSION RING	St 37 - St 42
WASHER	St 37 - St 42
LEVER COMPRESSION WASHER	St 37 - St 42
LEVER	St 37 - St 42
DISC SPRINGS	Ck60

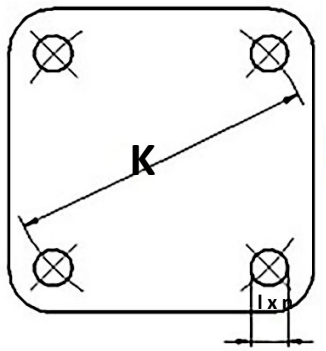
DIMENSIONS MM



NO	VALVE PARTS	METARIALS
1	BODY	GGG-40
2	FLANGE	GG-25
3	BALL	Stainless Steel
4	STEM	Stainless Steel
5	SEALING RINGS	PTFE
6	COMPRESSION RING	St 37 - St 42
7	WASHER	
8	LEVER COMPRESSION WASHER	
9	LEVER	
10	DISC SPRINGS	Ck60
11	NULTS	5
12	BOLT	6,8
13	STUD	5,6

SIZE (DN)	DIMENSIONS											WEIGHT (Kg)
	L	L1	h1	h2	D	k	9	b	f	d	n	
32	180	195	77	120	140	100	76	18	3	19	4	6,750
40	200	195	83	125	150	110	84	18	3	19	4	8,300
50	230	290	94	140	165	125	99	20	3	19	4	13.500
65	290	290	105	155	185	145	118	20	3	19	4	20.200
80	310	390	120	190	200	160	132	22	3	19	8	29.000
100	350	390	134	205	220	180	156	24	3	19	8	40.250

ISO 5221 / DIN 3337 ACTUATOR MOUNTING FLANGE DIMENSIONS



SIZE (DN)	K	l	n
32	50	6,5	4
40	50	6,5	4
50	70	8,5	4
65	70	8,5	4
80	102	10,5	4
100	102	10.5	4

OPEN-CLOSE TORQUE OF VALVES

SIZE (DN)	32	40	50	65	80	100
TORQUE (NM)	15	20	25	50	80	125